

Vexve ALV3

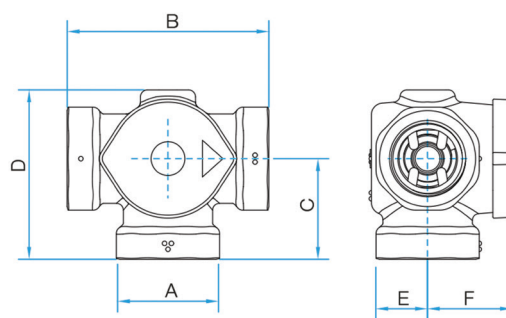
Thermic 3-way loading valve for various loading systems

Function:	Used as a thermic 3-way loading valve in various loading systems
Turning direction:	Changeable without tools - also under pressure
Installation and bleeding:	Turning the thermostat makes bleeding faster and easier
Temperatures:	45, 55, 61, 72, 80 °C
Connections:	Female thread DN 20, DN 25 and DN 32 / Male thread DN 25, DN 32 and DN 40 / CU28mm
Maintenance:	Maintenance-free – O-rings, cover and thermostat replaceable



Properties

Body:	DZR-brass
Closing element:	DZR-brass
Cover:	Fortron
Handle:	POM
O-rings:	EPDM
Threads:	ISO 228/1
Medium:	Water, glycol
Maximum working pressure:	10 bar
Operating temperature:	0 °C – +120 °C



Female thread

Item	Product number	HPAC code	RSK code	EAN	°C	DN	Kv	A	B mm	C mm	D mm	E mm	F mm	kg
ALV 3111	1560005	4367204	–	64158 4367204 0	45	20	6.0	Rp3/4	82	41	71	25	37	0.65
ALV 3112	1560010	4367205	–	64158 4367205 7	55	20	6.0	Rp3/4	82	41	71	25	37	0.65
ALV 3113	1560015	4367206	–	64158 4367206 4	61	20	6.0	Rp3/4	82	41	71	25	37	0.65
ALV 3114	1560020	4367207	–	64158 4367207 1	72	20	6.0	Rp3/4	82	41	71	25	37	0.65
ALV 3115	1560025	4367208	–	64158 4367208 8	80	20	6.0	Rp3/4	82	41	71	25	37	0.65
ALV 3121	1560035	4367210	–	64158 4367210 1	45	25	9.0	Rp1	88	44	74	25	37	0.84
ALV 3122	1560040	4367211	–	64158 4367211 8	55	25	9.0	Rp1	88	44	74	25	37	0.84
ALV 3123	1560045	4367212	–	64158 4367212 5	61	25	9.0	Rp1	88	44	74	25	37	0.84
ALV 3124	1560050	4367213	–	64158 4367213 2	72	25	9.0	Rp1	88	44	74	25	37	0.84
ALV 3125	1560055	4367214	–	64158 4367214 9	80	25	9.0	Rp1	88	44	74	25	37	0.84
ALV 3131	1560065	4367216	–	64158 4367216 3	45	32	12.0	Rp1 1/4	94	47	77	25	37	0.90
ALV 3132	1560070	4367217	–	64158 4367217 0	55	32	12.0	Rp1 1/4	94	47	77	25	37	0.90
ALV 3133	1560075	4367218	–	64158 4367218 7	61	32	12.0	Rp1 1/4	94	47	77	25	37	0.90
ALV 3134	1560080	4367219	–	64158 4367219 4	72	32	12.0	Rp1 1/4	94	47	77	25	37	0.90
ALV 3135	1560085	4367220	–	64158 4367220 0	80	32	12.0	Rp1 1/4	94	47	77	25	37	0.90

Vexve ALV3

Thermic 3-way loading valve for various loading systems

Male thread

Item	Product number	HPAC code	RSK code	EAN	°C	DN	Kv	A	B mm	C mm	D mm	E mm	F mm	kg
ALV 3211	1560095	4367186	-	64158 4367186 9	45	25	6.0	G1	82	41	71	25	37	0,56
ALV 3212	1560100	4367187	-	64158 4367187 6	55	25	6.0	G1	82	41	71	25	37	0,56
ALV 3213	1560105	4367188	-	64158 4367188 3	61	25	6.0	G1	82	41	71	25	37	0,56
ALV 3214	1560110	4367189	-	64158 4367189 0	72	25	6.0	G1	82	41	71	25	37	0,56
ALV 3215	1560115	4367190	-	64158 4367190 6	80	25	6.0	G1	82	41	71	25	37	0,56
ALV 3221	1560125	4367192	-	64158 4367192 0	45	32	9.0	G1 1/4	88	44	74	25	37	0,74
ALV 3222	1560130	4367193	-	64158 4367193 7	55	32	9.0	G1 1/4	88	44	74	25	37	0,74
ALV 3223	1560135	4367194	-	64158 4367194 4	61	32	9.0	G1 1/4	88	44	74	25	37	0,74
ALV 3224	1560140	4367195	-	64158 4367195 1	72	32	9.0	G1 1/4	88	44	74	25	37	0,74
ALV 3225	1560145	4367196	-	64158 4367196 8	80	32	9.0	G1 1/4	88	44	74	25	37	0,74
ALV 3231	1560155	4367198	-	64158 4367198 2	45	40	12.0	G1 1/2	94	47	77	25	37	0,87
ALV 3232	1560160	4367199	-	64158 4367199 9	55	40	12.0	G1 1/2	94	47	77	25	37	0,87
ALV 3233	1560165	4367200	-	64158 4367200 2	61	40	12.0	G1 1/2	94	47	77	25	37	0,87
ALV 3234	1560170	4367201	-	64158 4367201 9	72	40	12.0	G1 1/2	94	47	77	25	37	0,87
ALV 3235	1560175	4367202	-	64158 4367202 6	80	40	12.0	G1 1/2	94	47	77	25	37	0,87

CU

Item	Product number	HPAC code	RSK code	EAN	°C	DN	Kv	A	B mm	C mm	D mm	E mm	F mm	kg
ALV 3331	1560185	4367222	-	64158 4367222 4	45	25	6.0	28	118	59	89	25	37	0,56
ALV 3332	1560190	4367223	-	64158 4367223 1	55	25	6.0	28	118	59	89	25	37	0,56
ALV 3333	1560195	4367224	-	64158 4367224 8	61	25	6.0	28	118	59	89	25	37	0,56
ALV 3334	1560200	4367225	-	64158 4367225 5	72	25	6.0	28	118	59	89	25	37	0,56
ALV 3335	1560205	4367226	-	64158 4367226 2	80	25	6.0	28	118	59	89	25	37	0,56
ALV 3221	1560125	4367192	-	64158 4367192 0	45	32	9.0	G1 1/4	88	44	74	25	37	0,74
ALV 3222	1560130	4367193	-	64158 4367193 7	55	32	9.0	G1 1/4	88	44	74	25	37	0,74
ALV 3223	1560135	4367194	-	64158 4367194 4	61	32	9.0	G1 1/4	88	44	74	25	37	0,74
ALV 3224	1560140	4367195	-	64158 4367195 1	72	32	9.0	G1 1/4	88	44	74	25	37	0,74
ALV 3225	1560145	4367196	-	64158 4367196 8	80	32	9.0	G1 1/4	88	44	74	25	37	0,74
ALV 3231	1560155	4367198	-	64158 4367198 2	45	40	12.0	G1 1/2	94	47	77	25	37	0,87
ALV 3232	1560160	4367199	-	64158 4367199 9	55	40	12.0	G1 1/2	94	47	77	25	37	0,87
ALV 3233	1560165	4367200	-	64158 4367200 2	61	40	12.0	G1 1/2	94	47	77	25	37	0,87
ALV 3234	1560170	4367201	-	64158 4367201 9	72	40	12.0	G1 1/2	94	47	77	25	37	0,87
ALV 3235	1560175	4367202	-	64158 4367202 6	80	40	12.0	G1 1/2	94	47	77	25	37	0,87