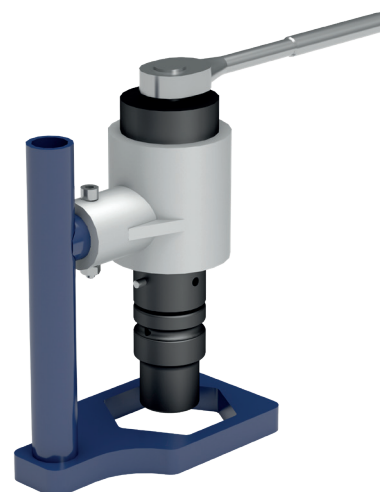


Planetary gear -Light

Vexve's small planetary gear is compact and light, so it is easy to use in construction sites. Thanks to the open design, the stem and limiter of the operated valve are visible during operation. The planetary gear is designed to be used with Vexve long stem valves instead of a T-key. The planetary gear works as a torque converter, so the valve can be operated with a small torque and the opening speed of the valve is automatically limited.

Product number:	287192
Body:	Steel
Socket:	HEX-27
Max. input (Nm):	52 Nm
Max. output (Nm):	750 Nm
Gear reduction ratio:	18:1
Weight	10,3 kg



NOTE: For to operate DN 100–150 long stem valves with planetary gear, valves should be supplied with a mounting flange (HEX-90, 299470) and a retaining ring (299412). Mounting flange and retaining ring can be mounted afterward.

Please contact the manufacturer for more information.

