

Hydrox™ by-pass

Hydrox by-pass is the smallest of the Hydrox actuator family. It is intended primarily for use on the bypass valve in demanding sites where mainline valves are equipped with larger Hydrox actuators. Hydrox by-pass provides the same capabilities as the larger Hydrox actuators and is designed to be used in the most challenging applications and environments. Hydrox by-pass is intended specifically for district heating and cooling applications and operates seamlessly with Vexve DN 40–100 ball valves.

Materials

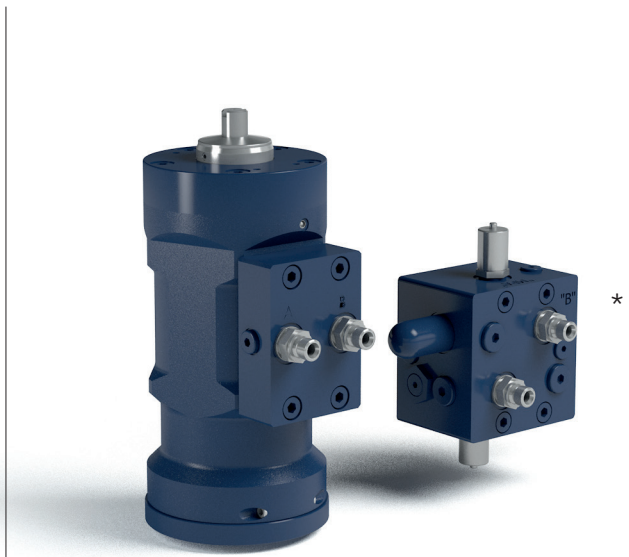
Body:	EN-GJS-400-15
Flange:	EN S355
Indicator shaft:	AISI 316L
Output shaft:	42CrMo4
Seals:	NBR
Recommended hydraulic fluid:	<ul style="list-style-type: none"> · Neste Hydraulii 46 SUPER · Neste Biohydraulii SE 46 or equal

Properties

Torques:	Up to 350 Nm
Recommended pressure range:	30–200 bar
Ambient temperature range:	-25 °C to +80 °C
Rotating angle:	91°
IP Protection class:	IP68
Corrosion resistance class:	C3-L

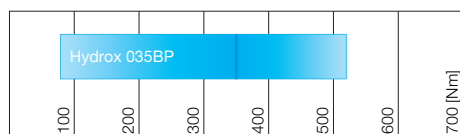
Optional equipment:

- Position transmitter/indicator (low voltage)
- Control block



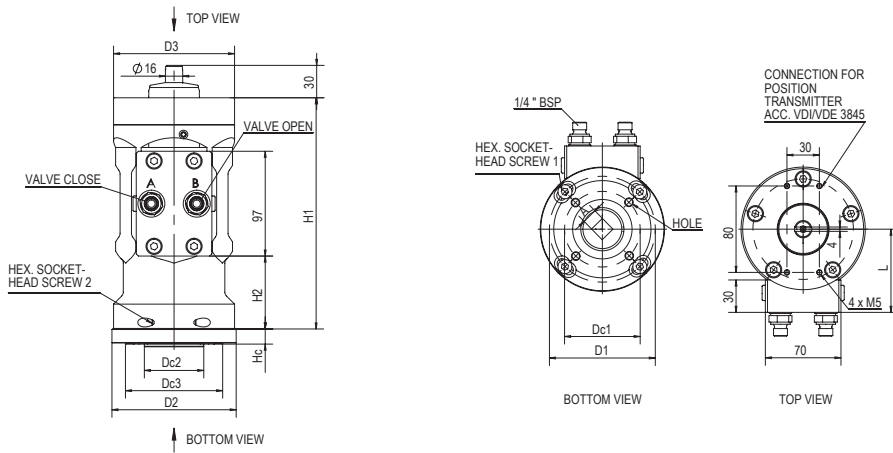
*Hydraulic control block ensures containment of hydraulic pressure inside the actuator in case of damage to hydraulic lines and can be used to adjust hydraulic pressure input of individual actuators.

Recommended torque range



Torque [Nm]

Actuator selection criteria: nominal torque as close as possible to valve torque



Model	D1	D2	D3	H1	H2	L	Oil displacement [l]	Hex socket-head screw 1	Hex socket-head screw 2	Dry weight [kg]
Hydrox 035BP	98	115	112	214	68	73	0,097	4 x M8	2 x M8	14

Model	Product no.	Compatible valves		A - square	ISO 5211	Hole	Dc1	Dc2	Dc3	Hc	Stem height
		Ball valves Reduced Bore	Ball valves Full Bore								
Hydrox 035BP	80203507011	DN 40, DN 50	DN 32, DN 40	11	F07	4 x M8	70	55	90	14	12,5
	80203507014	DN 65, DN 80	DN 50, DN 65	14	F07	4 x M8	70	55	90	14	12,5
	80203507016	DN 100	DN 80	16	F07	4 x M8	70	55	90	14	12,5

