

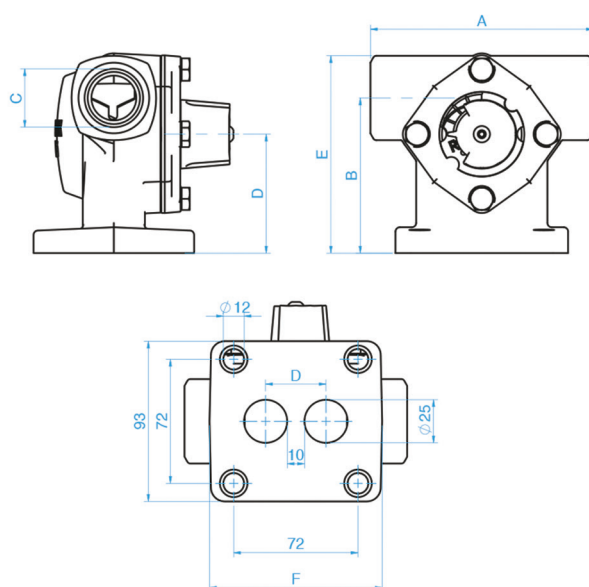
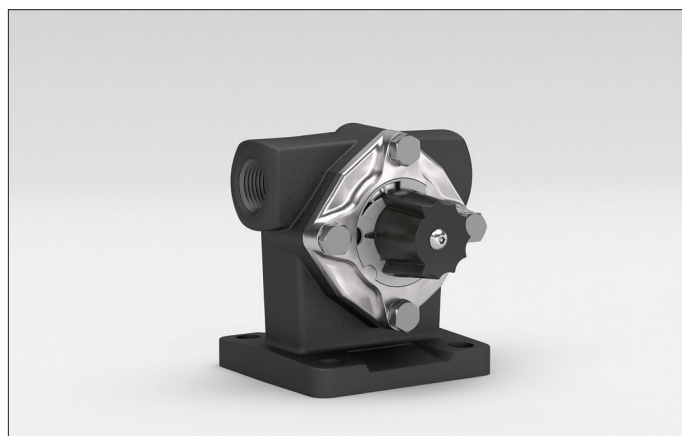
Vexve Termomix A

Cast iron 4-way mixing valve boiler mounted

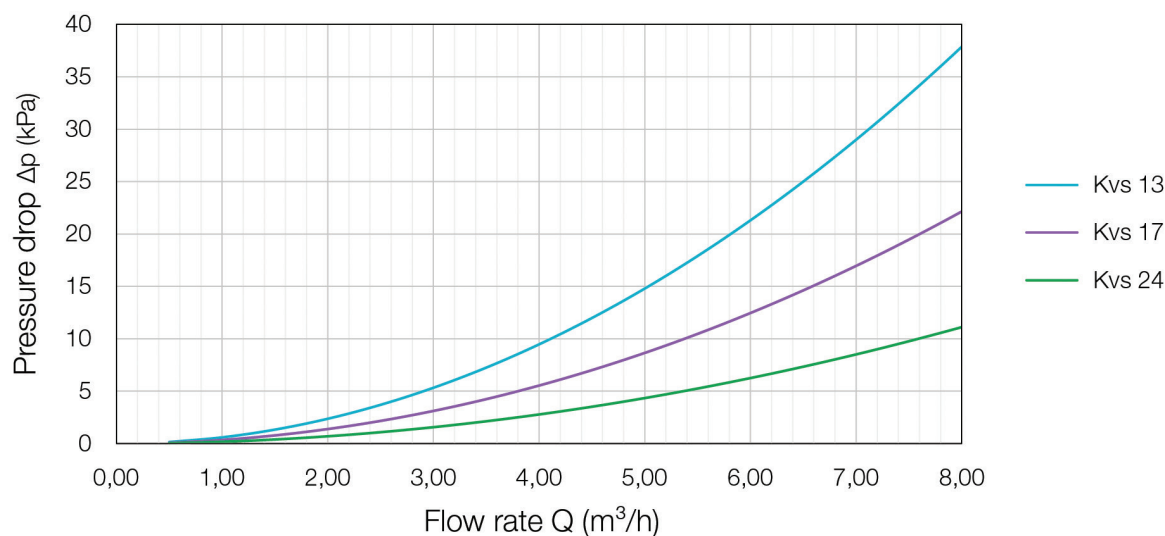
| | |
|---------------------|---|
| Function: | Used as a 4-way mixing valve in heating systems (boiler mounting) |
| Turning direction: | Changeable without tools - also under pressure |
| Connections: | Female thread DN 20, 25 and 32 |
| Motorisation: | Standard four-point attachment |
| Suitable actuators: | For example Belimo, Ouman, Seltron, Evenes, Automix, Vexve, ESBE |
| Maintenance: | Maintenance-free – O-rings, stem, cover and closure replaceable |

Properties

| | |
|---------------------------|----------------|
| Body: | Cast iron |
| Sleeve & shaft: | Brass |
| Cover: | Aluminium |
| Handle: | POM |
| O-rings: | EPDM |
| Medium: | Water, glycol |
| Maximum working pressure: | 10 bar |
| Operating temperature: | 0 °C – +120 °C |
| Torque: | < 1 Nm |
| Turning angle: | 90-degrees |



Valve selection chart



Vexve Termomix A

Cast iron 4-way mixing valve boiler mounted

Female thread

| Item | Product number | HPAC code | RSK code | EAN | Kvs | A | B mm | C mm | D mm | E mm | F mm | G mm | kg |
|---------------------------|----------------|-----------|----------|---------------|-----|-----|-------|------------|------|-------|------|------|-----|
| TERMOMIX A 20 S R ¾" | 1640012 | 4023142 | 4905072 | 6418733122205 | 13 | 112 | 90 | 20 Rp ¾" | 25 | 116 | 100 | 69 | 2,4 |
| TERMOMIX A 25 S R 1" | 1640014 | 4023143 | 4905073 | 6418733122250 | 17 | 129 | 90 | 25 Rp 1" | 25 | 116 | 100 | 69 | 2,5 |
| TERMOMIX A 32 S R 1 ¼" | 1640016 | 4023144 | 4905074 | 6418733122328 | 24 | 140 | 101,5 | 32 Rp 1 ¼" | 42 | 132,5 | 120 | 81,5 | 3,5 |