

Vexve ADV3

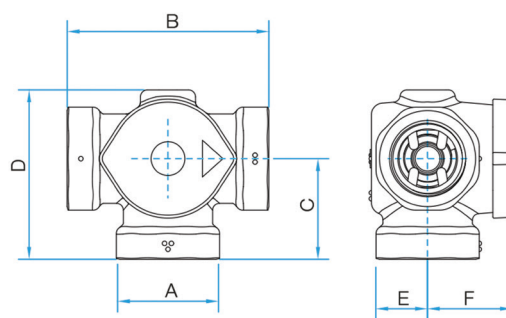
Thermic 3-way diverting valve for various loading systems

Function:	Used as a thermic 3-way loading valve in various loading systems
Turning direction:	Changeable without tools - also under pressure
Installation and bleeding:	Turning the thermostat makes bleeding faster and easier
Temperatures:	45, 55, 61, 72, 80 °C
Connections:	Female thread DN 20, DN 25 and DN 32 / Male thread DN 25, DN 32 and DN 40 / CU28mm
Maintenance:	Maintenance-free – O-rings, cover and thermostat replaceable



Properties

Body:	DZR-brass
Closing element:	DZR-brass
Cover:	Fortron
Handle:	POM
O-rings:	EPDM
Threads:	ISO 228/1
Medium:	Water, glycol
Maximum working pressure:	10 bar
Operating temperature:	0 °C – +120 °C



Female thread

Item	Product number	HPAC code	RSK code	EAN	°C	DN	Kv	A	B mm	C mm	D mm	E mm	F mm	kg
ADV 3111	1570005	4367228	–	64158 4367228 6	45	20	6.0	Rp3/4	82	41	71	25	37	0.65
ADV 3112	1570010	4367229	–	64158 4367229 3	55	20	6.0	Rp3/4	82	41	71	25	37	0.65
ADV 3113	1570015	4367230	–	64158 4367230 9	61	20	6.0	Rp3/4	82	41	71	25	37	0.65
ADV 3114	1570020	4367231	–	64158 4367231 6	72	20	6.0	Rp3/4	82	41	71	25	37	0.65
ADV 3115	1570025	4367232	–	64158 4367232 3	80	20	6.0	Rp3/4	82	41	71	25	37	0.65
ADV 3121	1570035	4367234	–	64158 4367234 7	45	25	9.0	Rp1	88	44	74	25	37	0.84
ADV 3122	1570040	4367235	–	64158 4367235 4	55	25	9.0	Rp1	88	44	74	25	37	0.84
ADV 3123	1570045	4367236	–	64158 4367236 1	61	25	9.0	Rp1	88	44	74	25	37	0.84
ADV 3124	1570050	4367237	–	64158 4367237 8	72	25	9.0	Rp1	88	44	74	25	37	0.84
ADV 3125	1570055	4367238	–	64158 4367238 5	80	25	9.0	Rp1	88	44	74	25	37	0.84
ADV 3131	1570065	4367240	–	64158 4367240 8	45	32	12.0	Rp1 1/4	94	47	77	25	37	0.90
ADV 3132	1570070	4367241	–	64158 4367241 5	55	32	12.0	Rp1 1/4	94	47	77	25	37	0.90
ADV 3133	1570075	4367242	–	64158 4367242 2	61	32	12.0	Rp1 1/4	94	47	77	25	37	0.90
ADV 3134	1570080	4367243	–	64158 4367243 9	72	32	12.0	Rp1 1/4	94	47	77	25	37	0.90
ADV 3135	1570085	4367244	–	64158 4367244 6	80	32	12.0	Rp1 1/4	94	47	77	25	37	0.90

Vexve ADV3

Thermic 3-way diverting valve for various loading systems

Male thread

Item	Product number	HPAC code	RSK code	EAN	°C	DN	Kv	A	B mm	C mm	D mm	E mm	F mm	kg
ADV 3211	1570095	4367246	–	64158 4367246 0	45	25	6.0	G1	82	41	71	25	37	0,56
ADV 3212	1570100	4367247	–	64158 4367247 7	55	25	6.0	G1	82	41	71	25	37	0,56
ADV 3213	1570105	4367248	–	64158 4367248 4	61	25	6.0	G1	82	41	71	25	37	0,56
ADV 3214	1570110	4367249	–	64158 4367249 1	72	25	6.0	G1	82	41	71	25	37	0,56
ADV 3215	1570115	4367250	–	64158 4367250 7	80	25	6.0	G1	82	41	71	25	37	0,56
ADV 3221	1570125	4367252	–	64158 4367252 1	45	32	9.0	G1 1/4	88	44	74	25	37	0,74
ADV 3222	1570130	4367253	–	64158 4367253 8	55	32	9.0	G1 1/4	88	44	74	25	37	0,74
ADV 3223	1570135	4367254	–	64158 4367254 5	61	32	9.0	G1 1/4	88	44	74	25	37	0,74
ADV 3224	1570140	4367255	–	64158 4367255 2	72	32	9.0	G1 1/4	88	44	74	25	37	0,74
ADV 3225	1570145	4367256	–	64158 4367256 9	80	32	9.0	G1 1/4	88	44	74	25	37	0,74
ADV 3231	1570155	4367258	–	64158 4367258 3	45	40	12.0	G1 1/2	94	47	77	25	37	0,87
ADV 3232	1570160	4367259	–	64158 4367259 0	55	40	12.0	G1 1/2	94	47	77	25	37	0,87
ADV 3233	1570165	4367260	–	64158 4367260 6	61	40	12.0	G1 1/2	94	47	77	25	37	0,87
ADV 3234	1570170	4367261	–	64158 4367261 3	72	40	12.0	G1 1/2	94	47	77	25	37	0,87
ADV 3235	1570175	4367262	–	64158 4367262 0	80	40	12.0	G1 1/2	94	47	77	25	37	0,87

CU

Item	Product number	HPAC code	RSK code	EAN	°C	DN	Kv	A	B mm	C mm	D mm	E mm	F mm	kg
ADV 3331	1570185	4367264	–	64158 4367264 4	45	25	6.0	28	118	59	89	25	37	0,56
ADV 3332	1570190	4367265	–	64158 4367265 1	55	25	6.0	28	118	59	89	25	37	0,56
ADV 3333	1570195	4367266	–	64158 4367266 8	61	25	6.0	28	118	59	89	25	37	0,56
ADV 3334	1570200	4367267	–	64158 4367267 5	72	25	6.0	28	118	59	89	25	37	0,56
ADV 3335	1570205	4367268	–	64158 4367268 2	83	25	6.0	28	118	59	89	25	37	0,56