

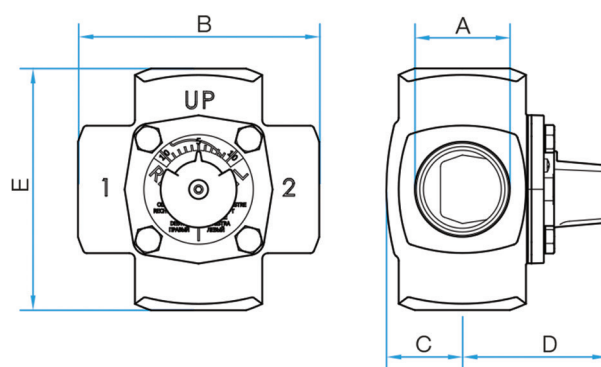
Vexve Termomix C

Cast iron 4-way mixing valve

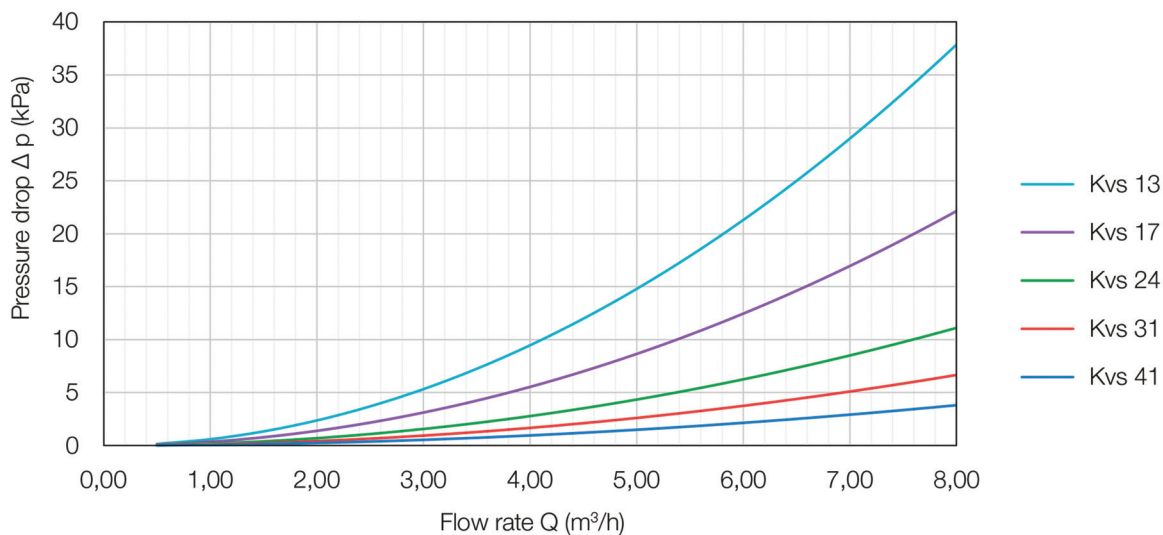
Function:	Used as a 4-way mixing valve in heating systems
Turning direction:	Changeable without tools - also under pressure
Connections:	Female thread DN 20, 25, 32 and 40
Motorisation:	Standard four-point attachment
Suitable actuators:	For example Belimo, Ouman, Seltron, Evenes, Automix, Vexve, ESBE
Maintenance:	Maintenance-free – O-rings, stem, cover and closure replaceable

Properties

Body:	Cast iron
Sleeve & shaft:	Brass
Cover:	Aluminium
Handle:	POM
O-rings:	EPDM
Medium:	Water, glycol
Maximum working pressure:	10 bar
Operating temperature:	0 °C – +120 °C
Torque:	< 1 Nm
Turning angle:	90-degrees



Valve selection chart



Vexve Termomix C

Cast iron 4-way mixing valve

Female thread

Item	Product number	HPAC code	RSK code	EAN	Kvs	A	B mm	C mm	D mm	E mm	kg
Termomix C 20	1670000	4023082	4905080	641873 312420 9	13	20 - Rp ¾"	110	32	67	110	1,8
Termomix C 25	1670001	4023083	4905081	641873 312425 4	17	25 - Rp 1"	112	32	67	112	1,9
Termomix C 32	1670002	4023084	4905082	641873 312432 2	24	32 - Rp 1 ¼"	127	36	70	127	2,6
Termomix C 40	1670003	4023085	4905083	641873 312440 7	31	40 - Rp 1 ½"	127	40	73	127	3,1